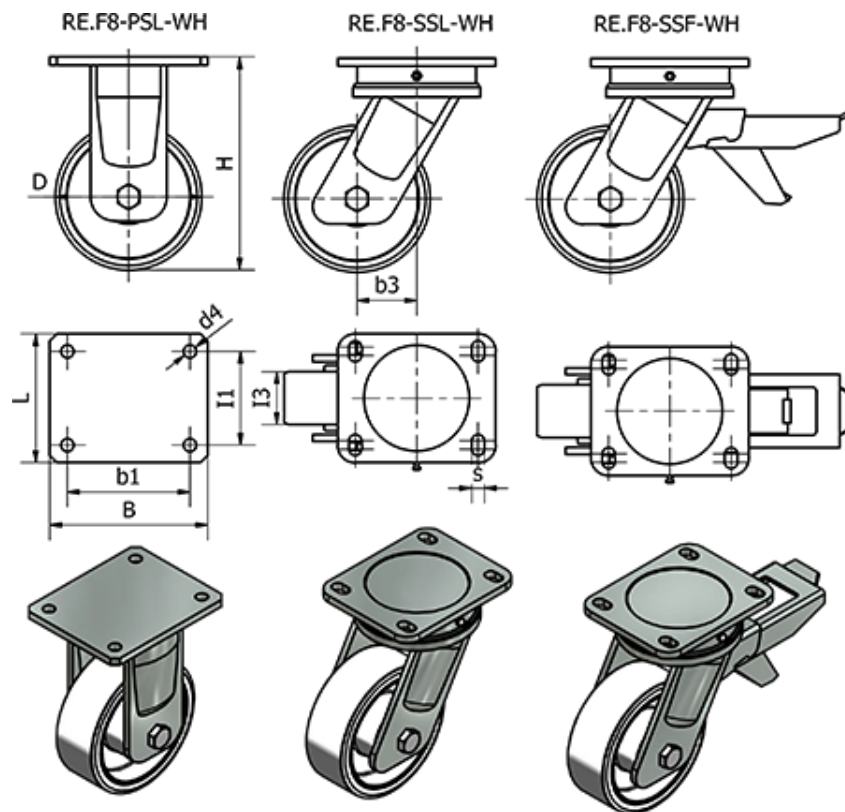


Article number: 2314449472

Description: E+G polyamide wheel  
RE.F8-150-SSF-WH - Turning plate w/brake in Zinc-plated steel

## Measures



B	= 135	I1	= 80
b1	= 105	I3	= 45
b3	= 60	L	= 110
Code	= 449472	R	= 157
D	= 150	Rolling resistance (N)	= 4550
d4	=	s	= 11
Dynamic carrying capacity (N)	= 7500	Type	= RE.F8-150-SSF-WH
H	= 210	Weight (g)	= 3740